

# OIL PUMPS

## MP & FP Series

M50P, M60P, M80P, M100P and M125P  
FP50 and FP60

**MAYEKAWA**  
**MYCOM**



**Double Helical Screw  
Type Oil Pumps**

<https://mayekawa.com/americas/mna>

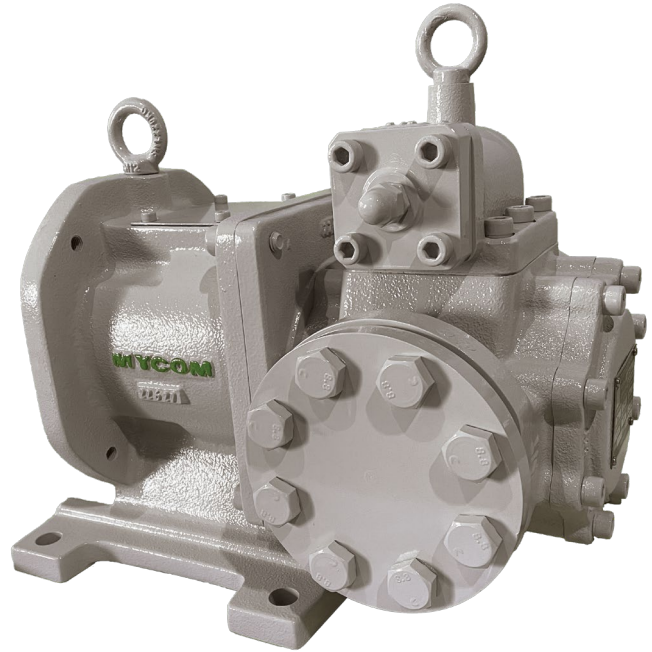
## Oil Pumps MP & FP Series

Double helical screw type oil pumps

The MYCOM oil pump is a high performance pump series based on screw compressor manufacturing technology developed over many years. Trusted for its high reliability, over 38,000 MYCOM oil pumps had been installed worldwide. Even under severe conditions such as high pressure, the MYCOM oil pump can operate stably for long periods of time.

### Flange Type FP SERIES

FP Series are flanged type oil pumps, available to mount C-flange type motor. They are suitable for screw compressor lubrication systems.



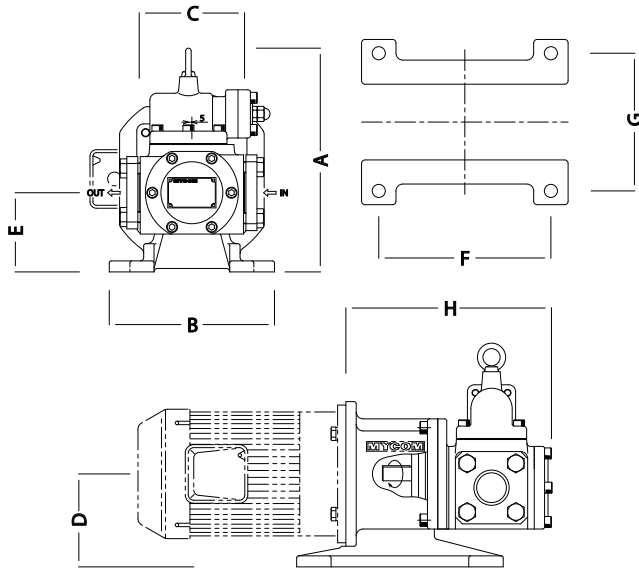
### SPECIAL FEATURES

- 50P and 60P are available
- High efficiency performance
- Usable wide speed range from 950rpm to 1750rpm
- Industry proven durability with no thrust load screw gear structure
- Low noise, low vibration
- With integral pressure-regulating valve which creates an uncomplicated lube system (the relief valve can cover up to 50% of the total flow)
- Pressure range (0~2.2MPa) are applicable
- Reverse rotation and reverse flow direction is available upon request
- High temperature is available up to 248°F
- JIS 20K flange type

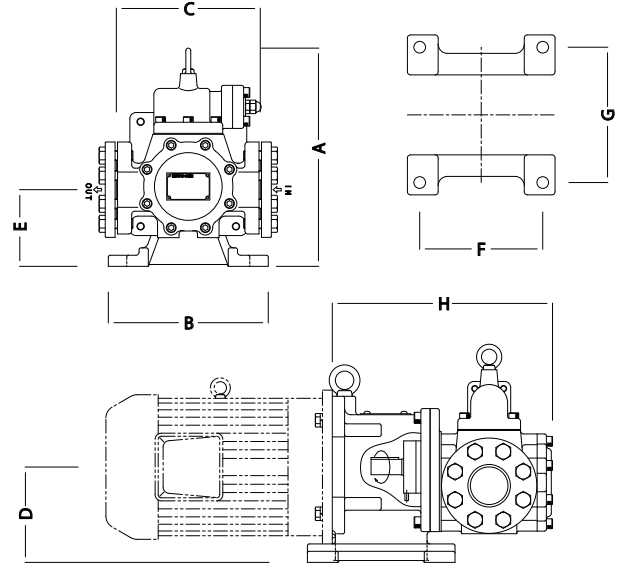
## SIZE CHART & DIMENSIONS

Dimensions are for reference only. Please contact MYCOM for more detailed drawings.

### F50P



### F60P



Model	A	B	C	D	E	F	G	H	Weight
F50P	325[13]	240[9]	153[6]	135[5]	115[5]	250[10]	200[8]	299[12]	43[95]
F60P	355[14]	260[10]	234[9]	155[6]	125[5]	200[8]	220[9]	358[14]	62[137]

## SPECIFICATIONS

Model	F50P		F60P	
Maximum Speed [rpm]	1750		1750	
Minimum Speed [rpm]	950		950	
Rotation <sup>1</sup>	CCW	CW	CCW	CW
Std Flow Direction <sup>1</sup>	L.H.D	R.H.D	L.H.D	R.H.D
Max. Capacity @50CST [GPM]	33		68	
Design Pressure [psig]	377		377	
Max. Outlet Pressure [psig]	319		319	
Min. Inlet Pressure [psig]	-4.3			
Differential Pressure	with Relief Valve	Max. 58 psi		
	w/o Relief Valve	Max. 290 psi		
Max. Inlet Temperature [F] <sup>2</sup>	Aluminum Bearing: 68~176 White Metal: 68~240 (FKM O-ring: 266)			
Viscosity of Fluid [cst]	3 - 500			
Oil Strainer Before Pump	≥ 150 μm			
Flange Type	JIS20K			

\* 1. L.H.D: Left Hand Discharge from drive end R.H.D: Right Hand Discharge from drive end

\* 2. CW: Clockwise CCW: Counter Clockwise

## Open Type MP SERIES

MP Series are gear mesh type which employ a screw rotor design. They are suitable for screw compressor lubrication systems.



## SPECIAL FEATURES

- Wide Flow capacity range are available
- High efficiency performance
- Usable wide speed range from 720rpm to 1750rpm
- Industry proven durability with no thrust load screw gear structure
- Low noise, low vibration
- With integral pressure-regulating valve which creates an uncomplicated lube system (the relief valve covers up to 50% of the total flow)
- Reverse rotation and reverse flow direction is available upon request
- Wide pressure range are applicable
- High temperature is available up to 266 °F (with White metal bearing and FKM O-ring)
- JIS20K is available
- ANSI flange type is available as 300#
- Several gases (Refrigerants) application are applicable

## SPECIFICATIONS

Model	M50P		M60P		M80P		M100P		M125P		M50PH <sup>1,3</sup>		M80PH <sup>1,3</sup>		M100PH <sup>1,3</sup>		M125PH <sup>1,3</sup>		M50PS		M100PJ		M125PJ			
Maximum Speed [rpm]	1750		1750		1750		1450		1150		1750		1750		1450		1150		1750		1450		1150			
Minimum Speed [rpm]	950		950		720		720		720		950		720		720		720		950		720		720			
Std Flow Direction <sup>1</sup>	L.H.D	R.H.D	L.H.D	R.H.D	L.H.D	R.H.D	L.H.D	R.H.D	L.H.D	R.H.D	L.H.D	R.H.D	L.H.D	R.H.D	L.H.D	R.H.D	L.H.D	R.H.D	L.H.D	R.H.D	L.H.D	R.H.D	L.H.D	R.H.D		
Rotation <sup>2</sup>	CW	CCW	CW	CCW	CW	CCW	CCW	CW	CCW	CW	CW	CCW	CW	CCW	CCW	CW	CCW	CW	CCW	CW	CCW	CW	CCW	CW		
Max Capacity @50CST [GPM]	33		68		140		227		348		33		140		227		348		33		227		348			
Design Pressure [psig]	377		377		377		377		377		435		435		435		435		798		580		580			
Max. Outlet Pressure [psig]	362		319		362		362		362		319		319		435		435		798		580		580			
Min. Inlet Pressure [psig]	-4.3																									
Differential Pressure	with Relief Valve		Max. 58 psi																							
	w/o Relief Valve		Max. 290 psi																							
Max. Inlet Temperature [F]	Aluminum Bearing: 68-176 White Metal: 68-240 (FKM O-ring: 266)																									
Viscosity of Fluid [cst]	3 - 500																									
Oil Strainer Before Pump	≥ 150 μm																									
Flange Type	JIS20K • ANSI#300		JIS20K		JIS20K • ANSI#300		JIS20K • ANSI#300		ANSI#300		JIS20K • ANSI#300		JIS20K • ANSI#300		JIS20K • ANSI#300		ANSI#300		ANSI#600		ANSI#300		ANSI#300			

\* 1. L.H.D: Left Hand Discharge from drive end R.H.D: Right Hand Discharge from drive end

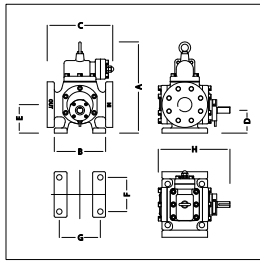
\* 2. CW: Clockwise CCW: Counter Clockwise

\* 3. 2.5MPaG < Discharge Pressure: Tandem Shaft 2.8MPaG ≤ Design Pressure: Special Gasket + Tandem Shaft

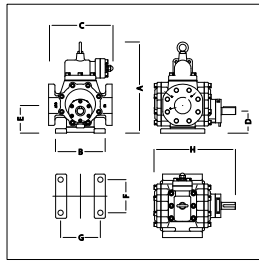
## SIZE CHART & DIMENSIONS

Dimensions are for reference only. Please contact MYCOM for more detailed drawings.

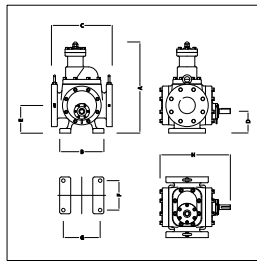
M50P



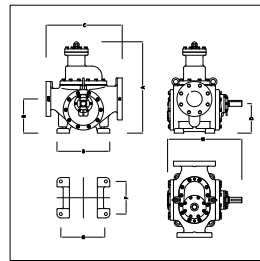
M60P



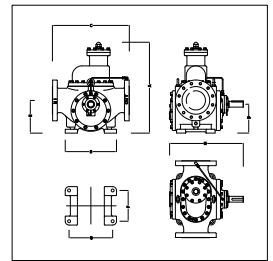
M80P



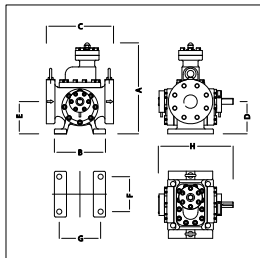
M100P



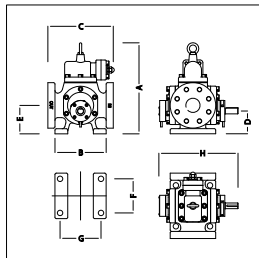
M125P



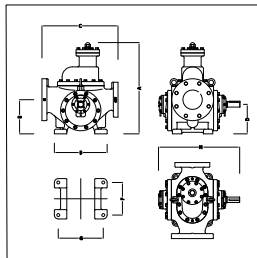
M50PS



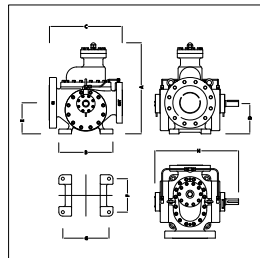
M50PH



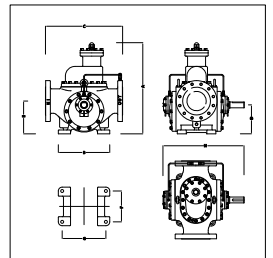
M100PH



M125PH



M100PJ



Model	A	B	C	D	E	F	G	H	Weight
M50P	320[13]	180[7]	230[9]	80[3]	100[4]	120[5]	144[6]	251[10]	37[82]
M60P	330[13]	180[7]	230[9]	80[3]	100[4]	120[5]	144[6]	296[12]	45[99]
M80P	495[19]	240[9]	330[13]	118[5]	150[6]	160[6]	200[8]	382[15]	116[256]
M100P	588[23]	340[13]	490[19]	190[7]	220[9]	210[8]	282[11]	478[19]	195[430]
M125P	709[28]	400[16]	600[24]	225[9]	255[10]	240[9]	340[13]	575[23]	325[717]
M50PS	339[13]	190[7]	250[10]	120[5]	120[5]	130[5]	154[6]	278[11]	48[105]
M50PH	320[13]	180[7]	230[9]	80[3]	100[4]	120[5]	144[6]	278[11]	37[82]
M80PH	495[19]	240[9]	330[13]	118[5]	150[6]	160[6]	200[8]	409[16]	116[256]
M100PH	588[23]	340[13]	490[19]	190[7]	220[9]	210[8]	290[11]	523[21]	195[430]
M125PH	709[28]	400[16]	600[24]	225[9]	255[10]	240[9]	340[13]	623[25]	325[717]
M100PJ	572[23]	340[13]	457[18]	190[7]	195[8]	210[8]	290[11]	526[21]	200[441]
M125PJ	Please contact us for M125PJ dimensions								

\* Information shown here is for reference only. Subject to change without notice. Please contact Mayekawa for details.

\*\*Measurements are in mm [inches] and kg [lbs].